

WT-6PB SERIES 6 INCH 60 CELLS

# 265-280w



## KEY FEATURES

- 

Power Range 0-5 WP
- 

Safety for salt mist corrosion (IEC61701, tested in TÜV SÜD)
- 

Safety for ammonia corrosion (IEC62716, tested in TÜV SÜD)
- 

Top rank in Photon yield measurement
- 

Safety for fire risk (Class C tested in TÜV SÜD and Rheinland)
- 

Outstanding power output capability at low irradiance
- 

Triple 100% Electroluminescence (EL) tests minimize breakage rate
- 

World 1st company to pass "Thresher Test" and "On-site Power Measurement Validation" certificate
- 

Anti-PID products, passing TÜV SÜD system voltage durability test

### MANAGEMENT SYSTEM

ISO 9001: Quality management system  
 ISO 14001: Standard for environmental management system  
 OHSAS 18001: International standard for occupational health and safety assessment system

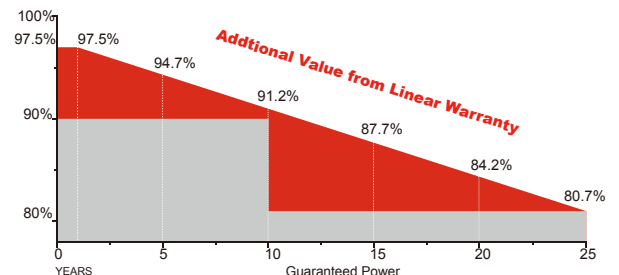
### INSURANCE





### PRODUCT CERTIFICATES



### WARRANTY



- 

10 YEARS Guarantee on product material and workmanship
- 

25 YEARS linear power output warranty

Specifications are subject to change without further notification

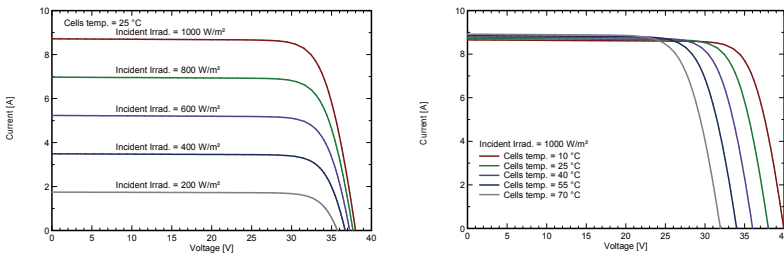
**Electrical Characteristics**

Module Type	SRP-265-6PB		SRP-270-6PB		SRP-275-6PB		SRP-280-6PB	
	STC	NOCT	STC	NOCT	STC	NOCT	STC	NOCT
Maximum Power -P <sub>mp</sub> (W)	265	196	270	200	275	203	280	206
Open Circuit Voltage -V <sub>oc</sub> (V)	38.3	35.3	38.5	35.5	38.8	35.7	39.0	35.9
Short Circuit Current -I <sub>sc</sub> (A)	8.83	7.14	8.94	7.22	9.02	7.29	9.12	7.36
Maximum Power Voltage -V <sub>mp</sub> (V)	31.1	29.1	31.3	29.3	31.6	29.5	31.8	29.7
Maximum Power Current -I <sub>mp</sub> (A)	8.53	6.74	8.63	6.83	8.71	6.88	8.81	6.94
Module Efficiency STC-η <sub>m</sub> (%)	16.29		16.6		16.9		17.2	
Power Tolerance (W)	(0,+4.99)							
Maximum System Voltage (V)	1000 (TÜV)							
Maximum Series Fuse Rating (A)	15							
Pmax Temperature Coefficient	-0.41%/°C							
Voc Temperature Coefficient	-0.32 %/°C							
Isc Temperature Coefficient	+0.05 %/°C							
Operating Temperature	-40~+85 °C							
Nominal Operating Cell Temperature	45±2 °C							

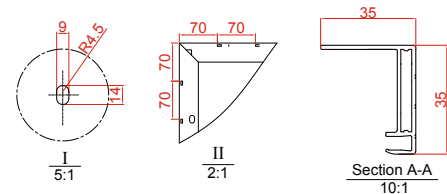
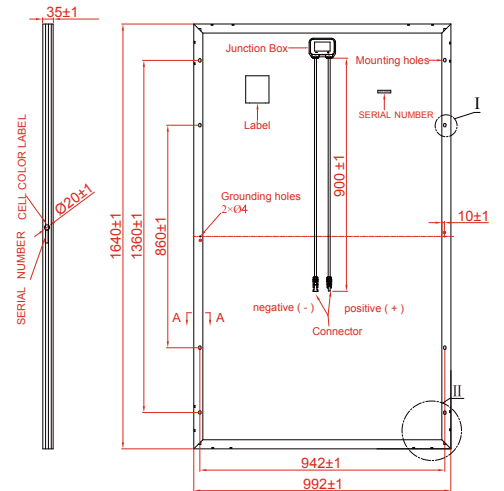
STC: Irradiance 1000 W/m<sup>2</sup> module temperature 25°C AM=1.5

NOCT: Irradiance 800 W/m<sup>2</sup> ambient temperature 20°C wind speed :1m/s Power measurement tolerance: +/-3%

**Curve**



**Technical drawing**



**Mechanical Specifications**

External Dimension	1640 x 992 x 35mm
Weight	17.5kg
Solar Cells	Poly crystalline 156.75 x 156.75 mm (60pcs)
Glass of Both Side	3.2 mm tempered glass, low iron
Frame	Anodized aluminium alloy
Junction Box	IP67
Output Cables	4.0 mm <sup>2</sup> , cable length:900 mm
Connector	MC4 Compatible
Mechanical Load	5400 Pa

**Packing Configuration**

External Dimension	1640 x 992 x 35mm	
Container	20'GP	40'GP
Pieces per Pallet	30	30
Pallets per Container	12	28
Pieces per Container	360	840

\* All Dimensions in mm

\* The above drawing is a graphical representation of the product. For engineering quality drawings please contact SERAPHIM.